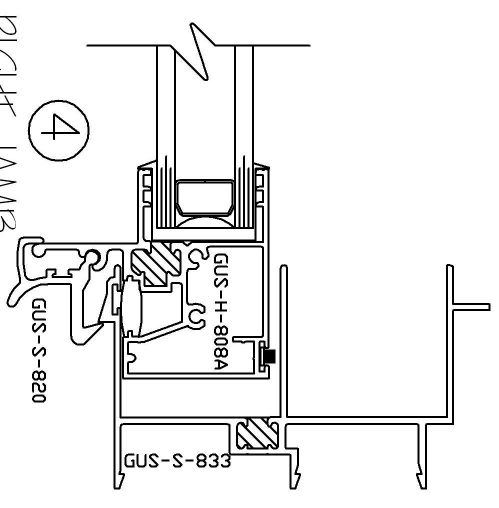
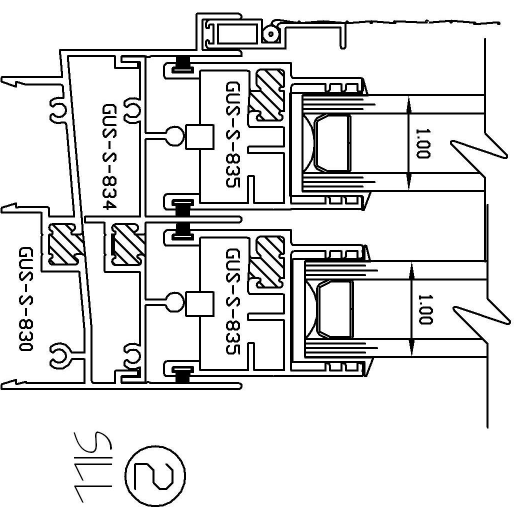
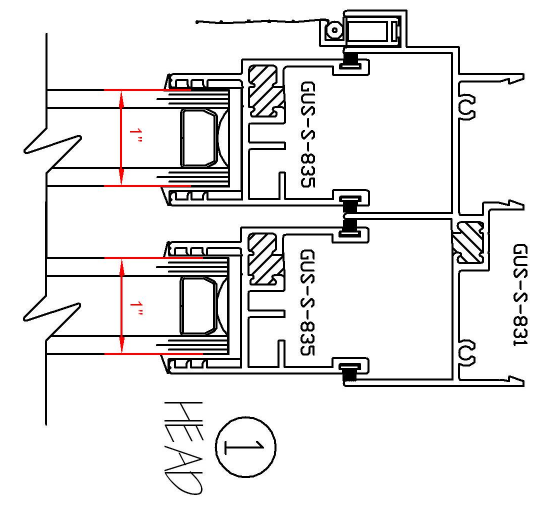
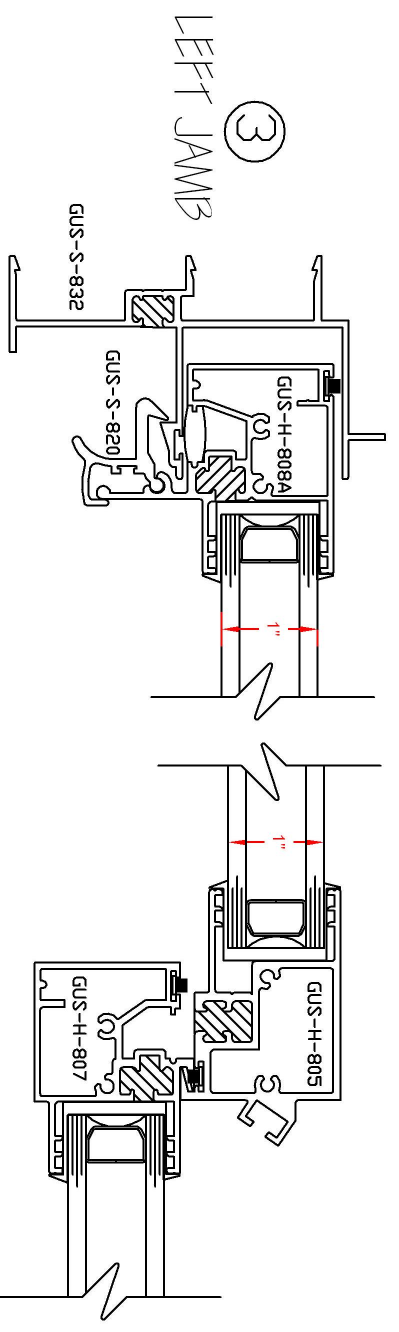
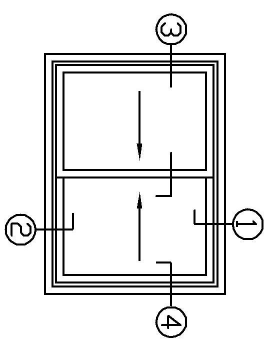
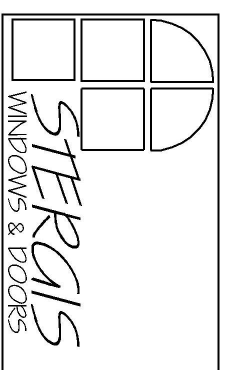


SERIES 800 HORIZONTAL SLIDER



PAGE: 1 OF 1
SCALE: 1 TO 2

HORIZONTAL SLIDER - HS-HC50
1" LOWE INS GLASS



PO BOX 206
1167 MAIN STREET
WALPOLE, MA 02081
508-668-998 -- FAX 508-660-2902